

We keep
you moving

Berner Torantriebe has been a leading manufacturer of garage door openers for more than 60 years. Our extensive product portfolio includes garage door-, battery-solar door-, underground car park-, swing and sliding gate openers as well as Cantilever Systems, barriers, parking space barriers, bollards and a wide range of accessory for all our product areas.

Supeero, a Berner Torantriebe brand since 2017, stands for high-quality entrance gates, Cantilever Systems and Composite Frame Systems made of aluminium. The "Suspended Glass" is a unique product in the sliding gate sector.

All Berner products are manufactured exclusively in Germany, meet the most diverse customer requirements and offer practice-oriented and modern solutions.

First-class quality and the reliability of Berner products, which comes with it, are ensured by using selected components, endurance testing and careful final inspection in our company.

In addition to our customer-oriented service, this has been the recipe for success since the company foundation and the most compelling reason for a successful cooperation with our customers.

Berner's full range of quality products

- Garage door openers
- Battery / solar-powered openers
- Underground car park and industrial door openers
- Swing and sliding gate openers
- Cantilever Systems for sliding gate openers
- Barriers
- Parking space barriers
- Bollards
- Radio equipment
- Accessory

- Supeero System Gates
- Supeero Swing gates
- Supeero Cantilever Systems
- Supeero RVS-Composite Frame System



Edition 1 02/2022

NEW



Four versions. Aluminium material. Berner drive systems.

Supeero Swing gates



For a beautiful entrance

First-class quality, modern design, reliable automation.

The new Berner swing gates are launched in four different versions. The basic material, aluminium, is weather-resistant and durable. The design is timeless and combines simple elegance with maximum efficiency in conjunction with the matching automation variants.

The modern gates adapt to any environment and guarantee your safety and the protection of your property. The excellent price-performance ratio makes Berner swing gates an attractive solution that always works perfectly, even on difficult terrain and with wide driveways.

Extensive accessories give you the option of operating the swing gates with hand transmitters, code switches or via app. The optional safety devices make the operation of the entrance gates even safer.

Gate filling positioned centrally in the frame
optic: vertical panels, width 100 mm distance
80 mm (in-between the panels)



➤ Swing gate in fence look vertical panels

Gate filling positioned centrally in the frame
Optic: Panels full-surface, 340 mm
high per panel unit
100% visual protection



➤ Swing gate with panel filling

Gate filling positioned centrally in the frame
Optic: horizontal panels, width 100 mm, distance
80 mm (in-between the panels)



➤ Swing gate in fence look horizontal panels

Gate filling positioned centrally in the frame
Optic: Full-surface filling 2 mm thick
100% visual protection



➤ Swing gate with full-surface filling

Berner swing gate openers - for every area of application

The Berner swing gate openers in 24 V technology are suitable for both private and commercial use. They are permanently weatherproof and absolutely maintenance-free. They open and close your entrance gate quietly and reliably in any weather and in any situation. Smooth running and absolute safety are a matter of course.

The swing gate opener DA22

For 1-leaf and 2-leaf gates

Max. gate weight: 220 kg

Max. width of gate leaf: 2,5 m

The swing gate openers DA42 DA42-L

for normal width and extra wide 1-leaf and 2-leaf gates

Max. gate weight: DA42: 400 kg · DA42-L: 400 kg

Max. width of gate leaf: DA42: 2,5 m · DA42-L: 4 m

Optional:

The swing gate openers DA200SA DA300SA

Electromechanical swing gate opener in compact design for 1- and 2-leaf swing gates with large post dimensions

Max. gate weight: DA200SA: 200 kg · DA300SA: 300 kg

Max. width of gate leaf: DA200SA: 2 m · DA300SA: 3 m



The matching accessories - according to your wishes

Select the right accessories for you from our large range. Whether operation by radio or with wired command devices, you have the free choice.



Transmitters - new design

The 1-, 2- and 4-channel transmitters BDS210, BDS220 and BDS240 are particularly secure and feature a bidirectional coding procedure (BiSure). The BiSure technology also enables the door status query (BDS220 and BDS240) at the push of a button.



Radio inside push-button 6-channel

BDS664/BDS664-W with status indication, housing white or black, battery 2 AAA, 1.5 V



One-way photocells

EL301, IP65, 24V, incl. testing



Radio code switch 10-channel, illuminated

BDS690, IP54, with membrane keypad, black housing, battery 2 AAA, 1.5 V



Radio code switch 10-channel, illuminated

BDS691/BDS691-W, IP54 with stainless steel keypad, white or black housing, battery 2 AAA, 1.5 V



Radio inside push-button 2-channel

BDS624/BDS624-W, housing white or black, battery 2 AAA, 1.5 V



Flashing lights

BLO, LED flashing light, flashing or steady light adjustable



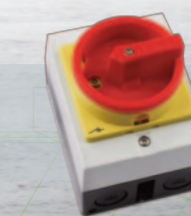
Emergency stop switch on wall

NAG, in housing, IP54



Main switch on wall

HSG, all-pole disconnecting, IP54



Swing gates according to individual requirements

Supeero swing gates are supplied in 26 predefined RAL colours as standard - see page 8. In addition, further RAL colours are available as an option and at an extra charge.

Prices without automation and security package.

All gates are 2-leaf, 1-leaf gates and asymmetric gates on request.

Including universal fastening profile with 3x hinges per leaf and buffer stop.

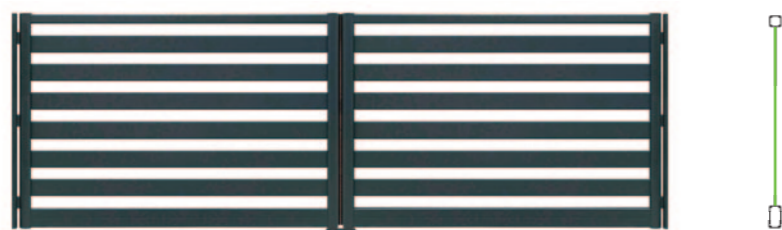
Supeero swing gates are supplied in 26 predefined RAL colours as standard - see page 8. In addition, further RAL colours are available as an option and at an extra charge.

Prices without automation and security package.

All gates are 2-leaf, 1-leaf gates and asymmetric gates on request.

Including universal fastening profile with 3x hinges per leaf and buffer stop.

Swing gate in fence look panels horizontal



Clear height	Opening distance	Opening distance									
		2300	2600	2900	3200	3500	3800	4100	4400	4700	5000
1200		2.642 €	2.654 €	2.668 €	2.830 €	3.045 €	3.227 €	3.235 €	3.374 €	3.418 €	3.602 €
1500		2.668 €	2.830 €	2.940 €	3.000 €	3.020 €	3.418 €	3.502 €	3.584 €	3.672 €	3.785 €
1800		2.934 €	2.955 €	3.117 €	3.279 €	3.488 €	3.702 €	3.715 €	3.881 €	4.041 €	4.261 €
2100		3.325 €	3.330 €	3.492 €	3.662 €	3.675 €	4.247 €	4.368 €	4.490 €	4.620 €	4.832 €

(all dimensions in mm)

Swing gate with panel filling



Clear height	Opening distance	Opening distance									
		2300	2600	2900	3200	3500	3800	4100	4400	4700	5000
1236		2.930 €	3.023 €	3.116 €	3.201 €	3.286 €	3.521 €	3.789 €	3.800 €	4.189 €	4.579 €
1576		3.126 €	3.300 €	3.475 €	3.560 €	3.645 €	3.881 €	4.253 €	4.599 €	4.945 €	5.292 €
1916		3.587 €	3.806 €	4.025 €	4.074 €	4.114 €	4.349 €	4.796 €	4.818 €	5.243 €	6.094 €

(all dimensions in mm)

Swing gate in fence look vertical panels



Clear height	Opening distance	Opening distance									
		2300	2600	2900	3200	3500	3800	4100	4400	4700	5000
1200		2.642 €	2.736 €	2.830 €	2.962 €	3.094 €	3.188 €	3.227 €	3.420 €	3.440 €	3.572 €
1500		2.668 €	2.830 €	2.903 €	2.997 €	3.020 €	3.255 €	3.418 €	3.602 €	3.615 €	3.732 €
1800		2.934 €	2.955 €	3.117 €	3.276 €	3.279 €	3.398 €	3.715 €	3.900 €	4.074 €	4.196 €
2100		3.325 €	3.330 €	3.492 €	3.662 €	3.675 €	4.085 €	4.247 €	4.432 €	4.594 €	4.712 €

(all dimensions in mm)

Swing gate with full-surface filling



Clear height	Opening distance	Opening distance									
		2300	2600	2900	3200	3500	3800	4100	4400	4700	5000
1200		3.361 €	3.376 €	3.380 €	3.388 €	3.396 €	3.488 €	3.631 €	3.641 €	3.652 €	3.668 €
1500		3.369 €	3.406 €	3.460 €	3.518 €	3.576 €	3.641 €	3.658 €	3.683 €	3.705 €	3.862 €
1800		4.476 €	4.621 €	4.679 €	4.732 €	4.785 €	4.837 €	4.890 €	4.948 €	5.055 €	5.207 €
2100		4.568 €	4.782 €	4.803 €	4.842 €	4.910 €	5.072 €	5.090 €	5.118 €	5.166 €	5.311 €

(all dimensions in mm)

Automation including safety package

(damping profile, photocells, flashing lights, etc.) depending on design on request.

Special equipment such as side door, fence connection on request.

We would be happy to manufacture your gate according to your individual requirements, in deviation from the standard.

Please contact us at: info@berner-torantriebe.de

Automation including safety package

(damping profile, photocells, flashing lights, etc.) depending on design on request.

Special equipment such as side door, fence connection on request.

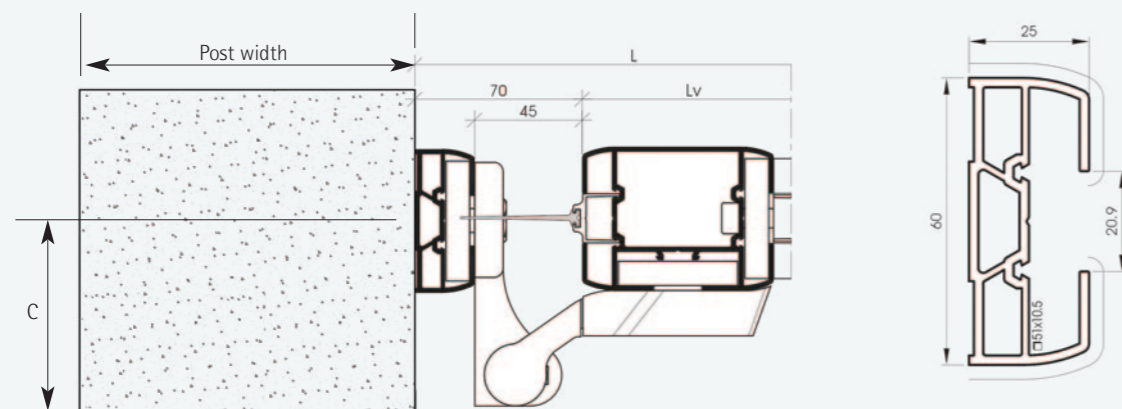
We would be happy to manufacture your gate according to your individual requirements, in deviation from the standard.

Please contact us at: info@berner-torantriebe.de

Installation situation on site

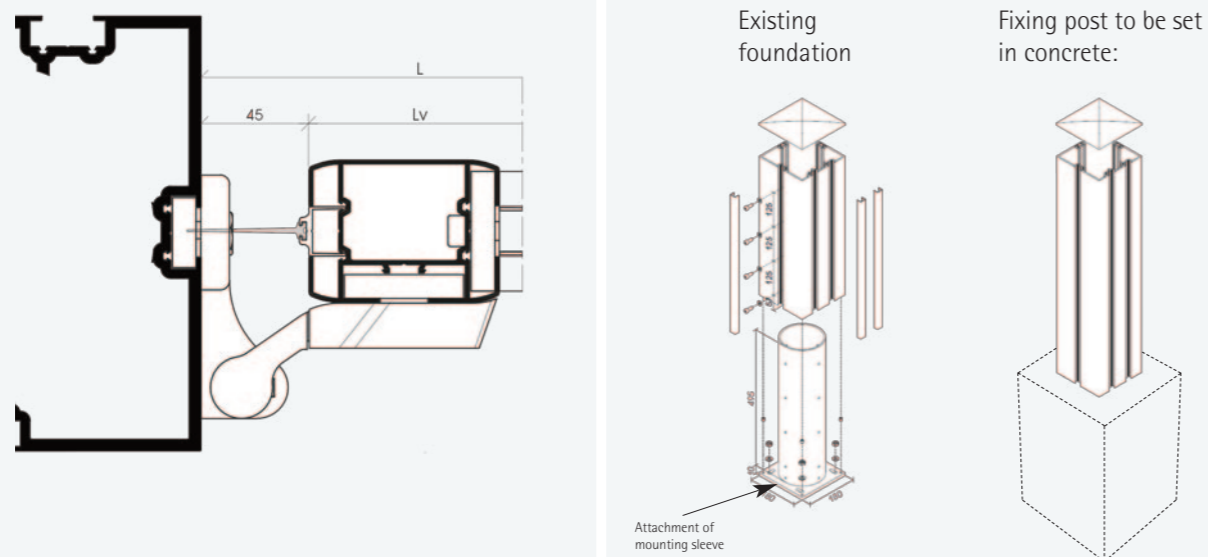
Option A: Fastening to existing masonry or posts

With the standard fastening, a masonry or post is already present and the universal fastening profile can simply be fastened to it. The costs for the standard fixing are already included in the offer. Please note that for this option, in the case of automation, the post width and dimension C (see drawing) must be specified in the enquiry form.



Option B: Fixing without existing masonry or posts

If there is no masonry, post or similar fastening for gate assembly on site, we will supply you with suitable gate posts. All our fixing posts (base area 180 x 180 mm) are made of indestructible aluminium and in the identical RAL colour as the entire gate system and the associated gate leaves. The fixing post can be set in concrete or mounted on an existing foundation (with a mounting sleeve). If the fixing post is set in concrete, the length of the post increases (clear height + 60 cm, see point 6 Enquiry form, page 1).



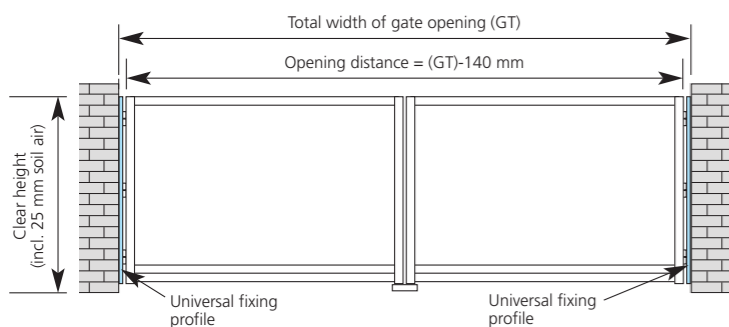
Standard RAL overview

Supeero swing gates are supplied in 26 RAL colours as standard, which you can select freely from our RAL colour palette. This leaves almost no colour wishes unfulfilled and your new swing gate will match the architecture and colour scheme of your house perfectly. And for all other colour wishes, we offer the entire RAL colour world as an option and for an additional charge.

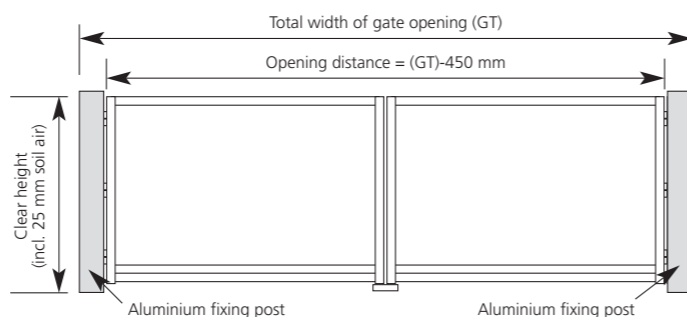


Enquiry form Supeero swing gates / Page 1

Option A



Option B



1. Information on the gate

Please enter the following dimensions in the drawing:

Total width gate opening (GT) in mm: _____

- 1-leaf
- 2-leaf
- Fittings left
- Fittings right
- asymmetrical
- Leaf 1 in mm _____
- Leaf 2 in mm _____

Clear height (LH) in mm: _____

Opening direction: inwards outwards

2. Surface colour

Powder-coated according to 26 predefined RAL colours. Desired RAL colour: _____

All other RAL colours on request (at an extra charge): RAL _____

3. Operation:

- Motorisation incl. security package
- ___ Openings per hour ___ Openings per day
- Electric lock 24V for floor locking (recommended from a leaf width of 1,500 mm)
- Manually operated

4. Radio equipment

- Yes No

Transmitters: _____ Pieces
(1x hand transmitter is included in the opener set)

5. Control elements

- Key switch in-wall
- Push button for internal use
- Miscellaneous: _____
- Key switch on-wall
- Push-button for external use
- Radio code switch

6. Fixing post aluminium (option B):

- Additional fixing post leaf 1
- Is set in concrete LH + 60 cm
- Incl. mounting sleeve
- Additional fixing post leaf 2
- Is set in concrete LH + 60 cm
- Incl. mounting sleeve

The fixing post reduces the leaf width by 155 mm per leaf.

7. Side door (matching the gate)

Height in mm: _____ Width in mm: _____

Opening direction seen from inside

- right left
- opening inwards opening outwards
- Electric door opener Mechanical door closer
- With 1 door handle + 1 knob
- With 2 door handles

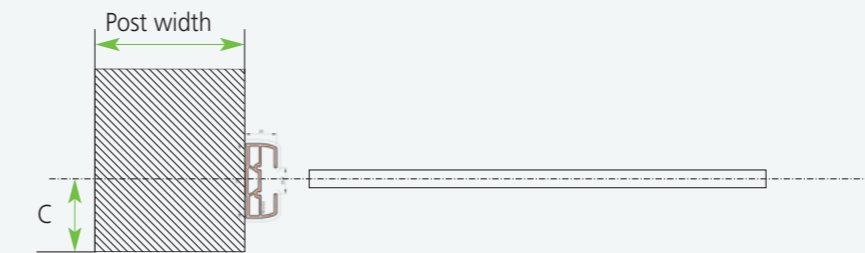
If you would like a side door, please send us a drawing or sketch/photo and the installation situation, e.g. existing pillars, columns, etc.

Enquiry form Supeero swing gates / Page 2

8. Gate filling:

- Swing gate in fence look horizontal panels
- Swing gate in fence optic vertical panels
- Swing gate with panel filling
- Swing gate with full-surface filling

9. Motorisation without additional fixing post



Lateral distance to the wall: _____

Name: _____

Contact person: _____

Street: _____

Postcode/Place: _____

Phone: _____

Building project: _____

Email: _____

Date: _____ Signature: _____

Company stamp: _____