

PRODUCT SHEET

Automatic retractable bollard G6

Built-in hydraulic pump



DIMENSIONS (MM)	Ø200 - H750	<input type="checkbox"/> BHECLPE75	<input type="checkbox"/> BHECHPE75
		Ø250 - H750	<input type="checkbox"/> BHECLPF75

POWER DRIVE (STANDARD VERSION)

Built-in hydraulic pump, allowing to reduce the control cabinet size. The bollard is connected using only two electrical cables. This makes installation and commissioning easier.

Pump working pressure : 35 bars

Voltage in the bollard : 24V-50Hz / 230V-60Hz

Maximum power absorption : 330w

Standard operating temperature range : from -20°C to +80°C

Rising time : 5/7 seconds

Falling time : 5 seconds

Fail safe : in the event of a power cut, the bollard lowers

IP67 : waterproof and dustproof

MONOBLOC® DESIGN

Bollard head, casing and cover made of 11mm average thick cast iron material. These parts are cast as one single piece, without any weld nor wear part.

Reliability

4.5 million of operations without any failure neither part replacement (Up to 1,200 operations per day over 10 years).

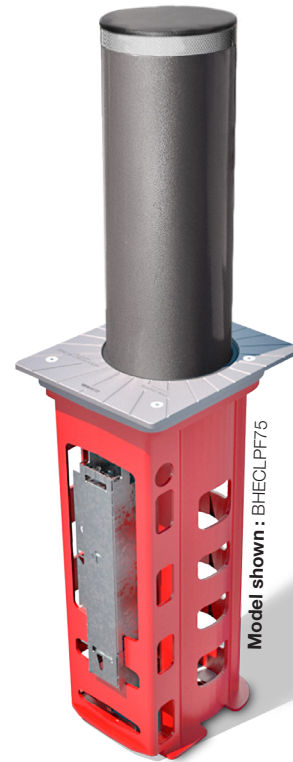
Longevity

G6 bollards are intended to withstand repeated impacts, rain, frost, sand, dust, solvents agents...

10-year warranty

10-year warranty on cast-iron material bollard head, casing and cover, even after a 2.5 tons vehicle collision at 55 km/h*.

* See the "Warranty" chapter in our General Terms of Sale



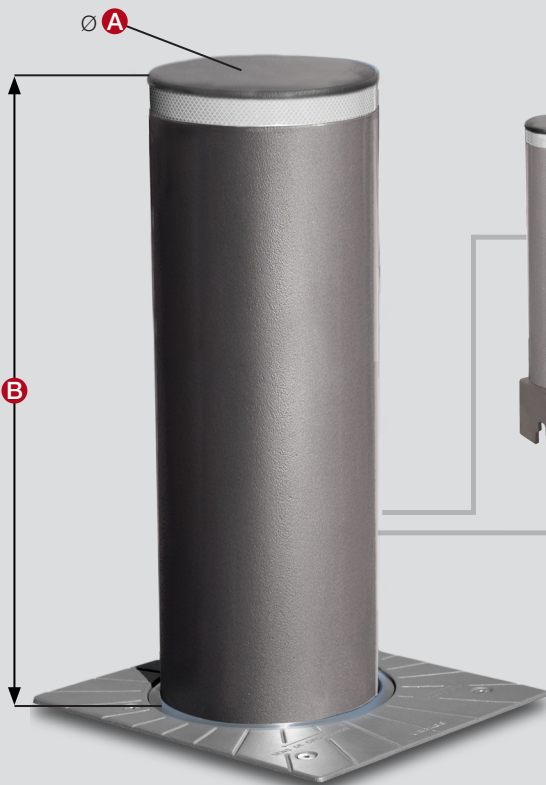
ISO EN 124 - E600 Class - Accepted vertical load: 60T per axle. Can be installed in areas that take heavy loads (docks and airports).

In compliance with NFP98-310 standard - Regarding characteristics and performances of automatic, semiautomatic and manual retractable bollards.

In compliance with the French PMR decree - All dimensions comply with the French decree of 18 September 2012 regarding technical specifications for road and public area accessibility, enabling Persons with Reduced Mobility to have the best possible day-to-day travel.

G6 RETRACTABLE BOLLARD, A LEGENDARY ROBUSTNESS :

The automatic retractable bollard is made to control accesses of both public and private areas. The bollard is managed by an access control system and is actuated down by the user (remote control, contactless card, keypad, etc.) clearing the way for access. It rises automatically after the vehicle has passed.



Model shown : BHECLPF75

CYLINDER model	A	B
<input type="checkbox"/> BHECLPE75	200mm	750mm
<input type="checkbox"/> BHECLPF75	250mm	750mm

Treatment : Zinc-based primer as standard reinforcing corrosion-resistance
RAL paint : Matt finish thermosetting polyester powder top coat (RAL7016 standard)
Visual signalling : Class II reflective tape (white)

CHATEAUNEUF model	A	B
<input type="checkbox"/> BHECHPE75	200mm	750mm
<input type="checkbox"/> BHECHPF75	250mm	750mm

Treatment : Zinc-based primer as standard reinforcing corrosion-resistance
RAL paint : Matt finish thermosetting polyester powder top coat (RAL7016 standard)
Visual signalling : Class II reflective tape (white)

PRODUCT SHEET

Automatic retractable bollard G6

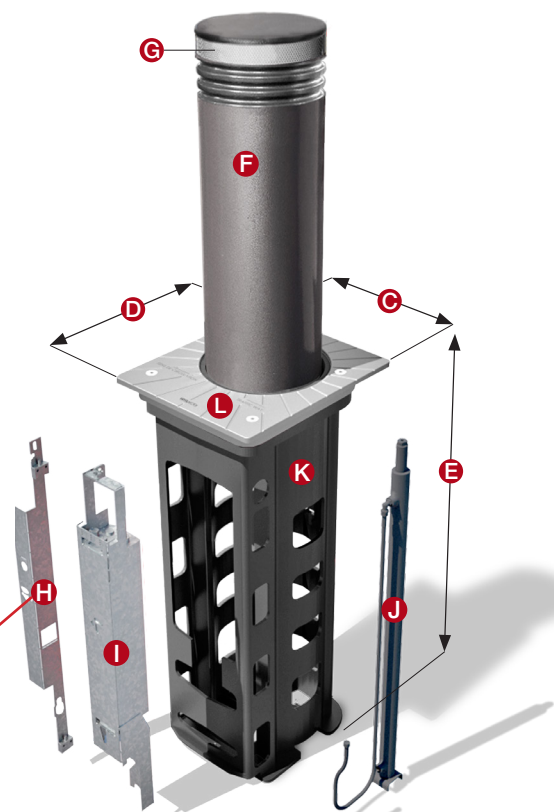
Built-in hydraulic pump



DIMENSIONS (MM), WEIGHT AND IMPACT RESISTANCE

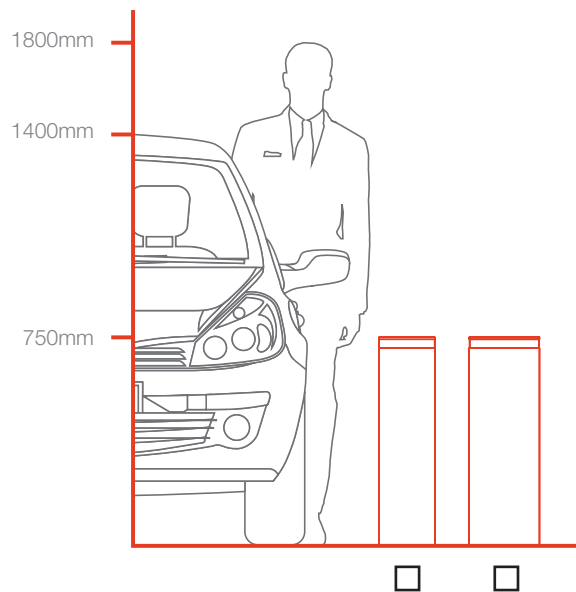
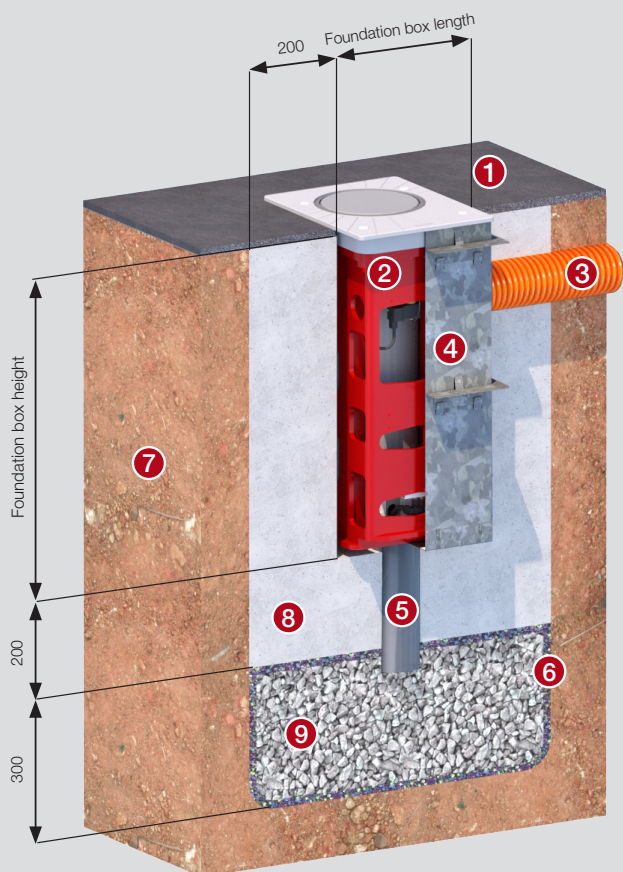
		C	D	E	Weight	Impact resistance (KJ)	Equivalent
<input type="checkbox"/>	BHECLPE75	317	390	972	121Kg	96 KJ	1,2 ton vehicle at 50km/h
<input type="checkbox"/>	BHECHPE75	317	390	972	121Kg		
<input type="checkbox"/>	BHECLPF75	385	450	972	165Kg	241,1 KJ	2,5 tons vehicle at 55km/h
<input type="checkbox"/>	BHECHPF75	385	450	972	165Kg		

- F** Bollard head
- G** Class II reflective tape
- H** Removable accessories bracket
- I** Built-in hydraulic pump assembled to its support
- J** Hydraulic cylinder and hydraulic hose
- K** Casing
- L** Cover



Model shown : BHECHPF75

The **galvanized steel removable accessories bracket** has been designed to include all the necessary elements for the bollard's operation. Inserted inside the casing, the bracket is at hand, **easy to pull out**, making maintenance easier.



- 1** Asphalt finishing surface
- 2** Retractable bollard
- 3** Electrical sheath Ø100mm
- 4** Lost casing
- 5** PVC Ø100mm
- 6** Geotextile underlayer
- 7** Natural permeable soil
- 8** High density concrete
- 9** Drain: must be able to drain 20 litres of water in 5min